



Look, it feels you, love will be.





For your luxury

Mitsubishi Electric Air Conditioners



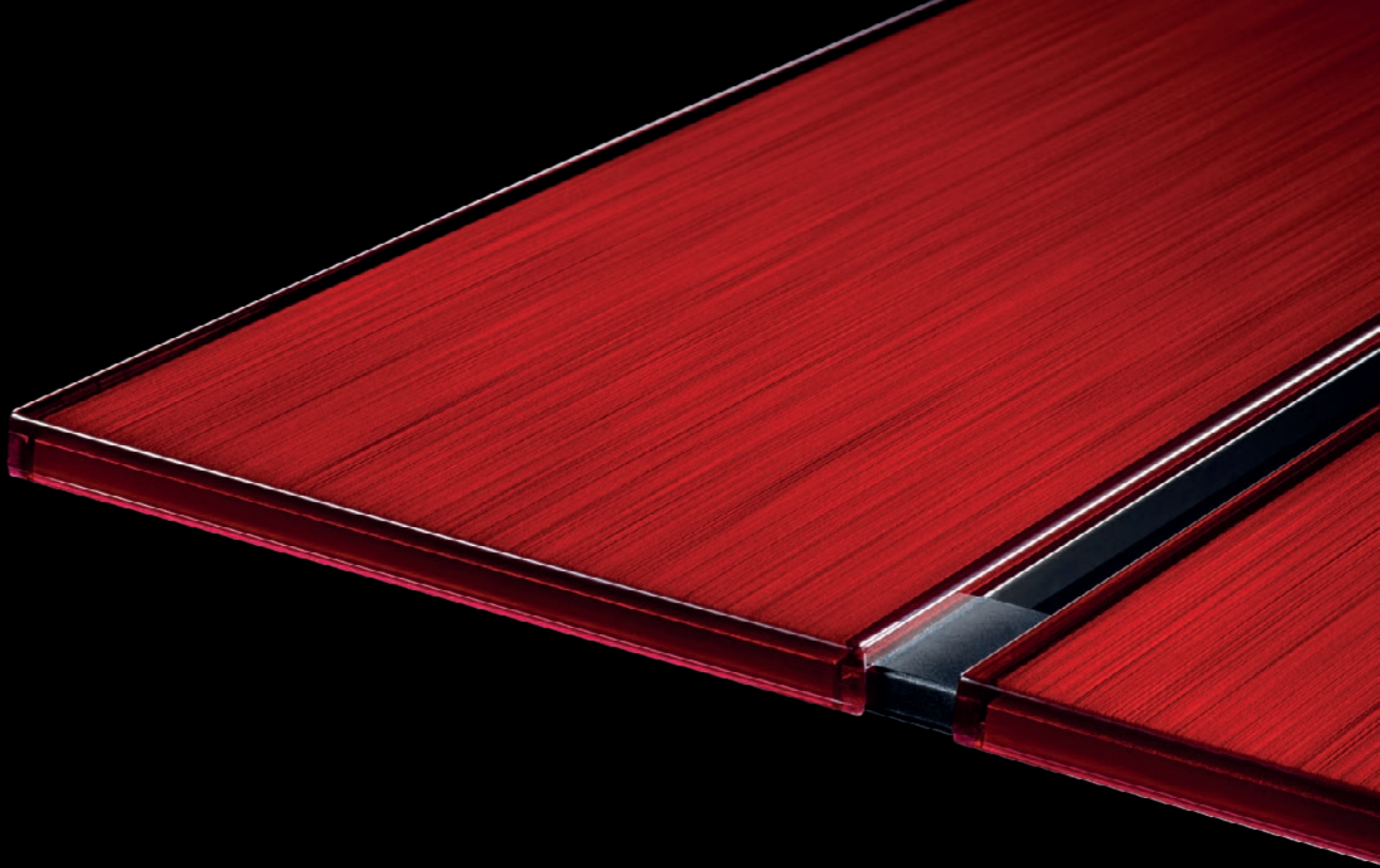




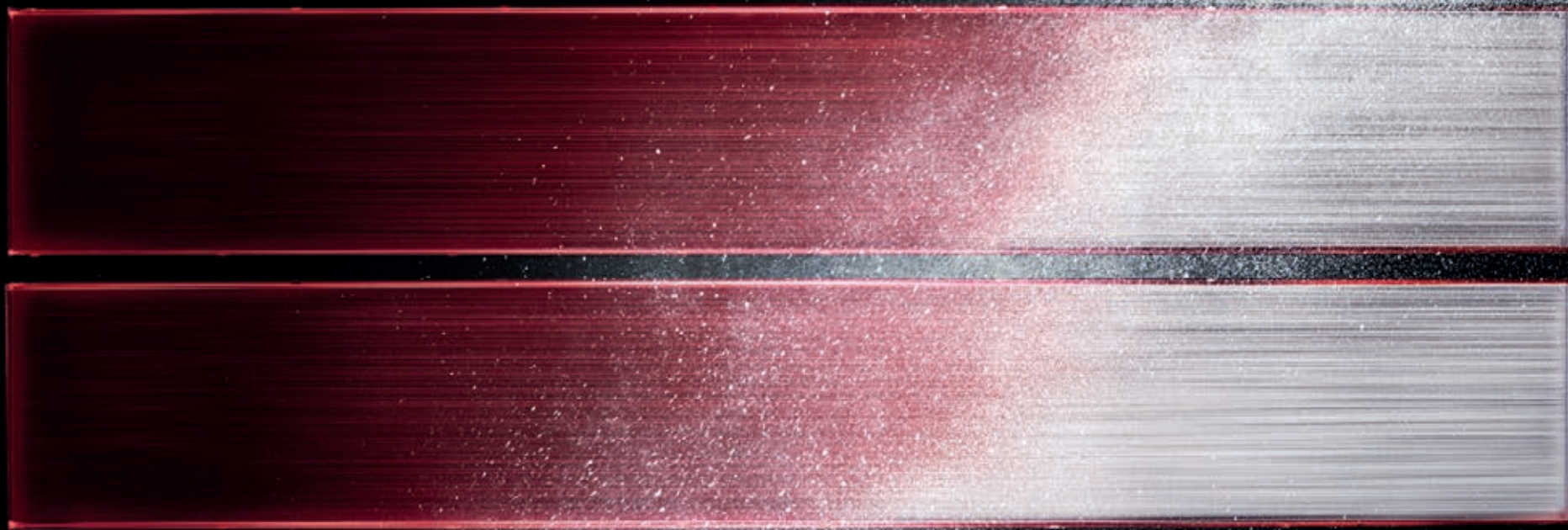








Master craftsmanship painting technology creates fine design, giving the finish deep colour and a premium quality feel.



Chic, stylish remote controller.



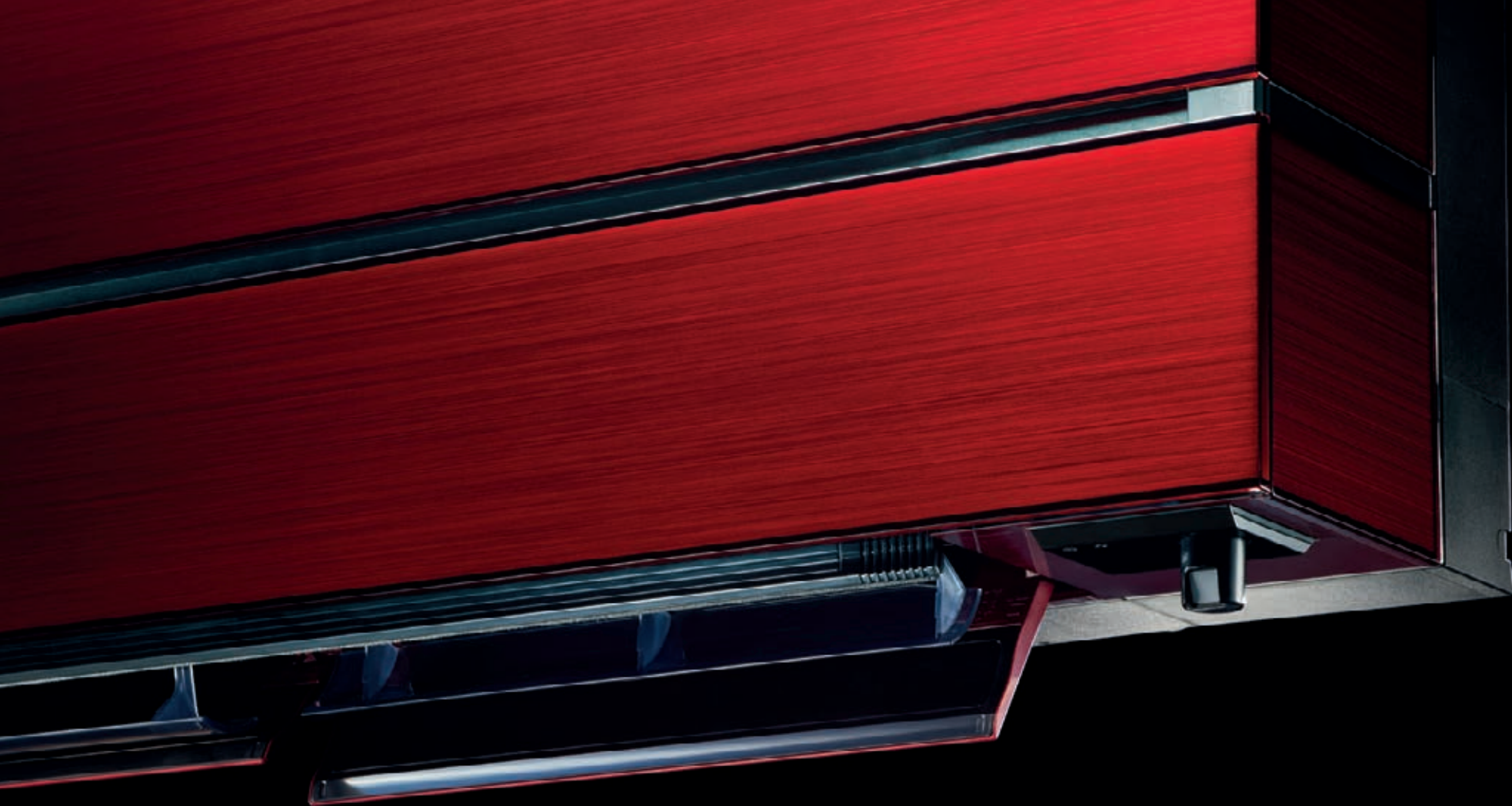


Control your living environment when you're out and about

MELCloud offers live and weekly timer monitoring, ensuring total flexibility in the control of different Mitsubishi Electric air conditioning systems and heating systems with a single device or from one place. You can also log and record errors via local and remote systems if they are connected to MELCloud. The MELCloud app also provides localised information, like weather forecasts and customer service contact details.

More information is available at
melcloud.mitsubishi-les.com

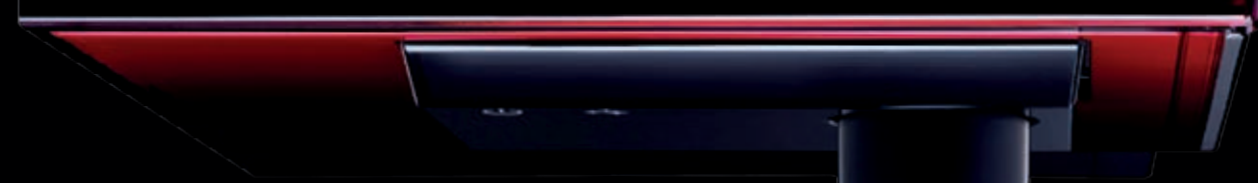




Original infrared-ray sensor and double flaps provide enhanced comfort and energy savings.



Low High

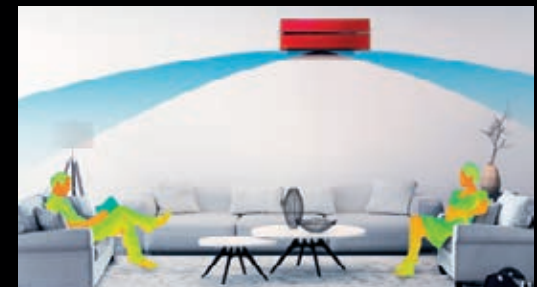


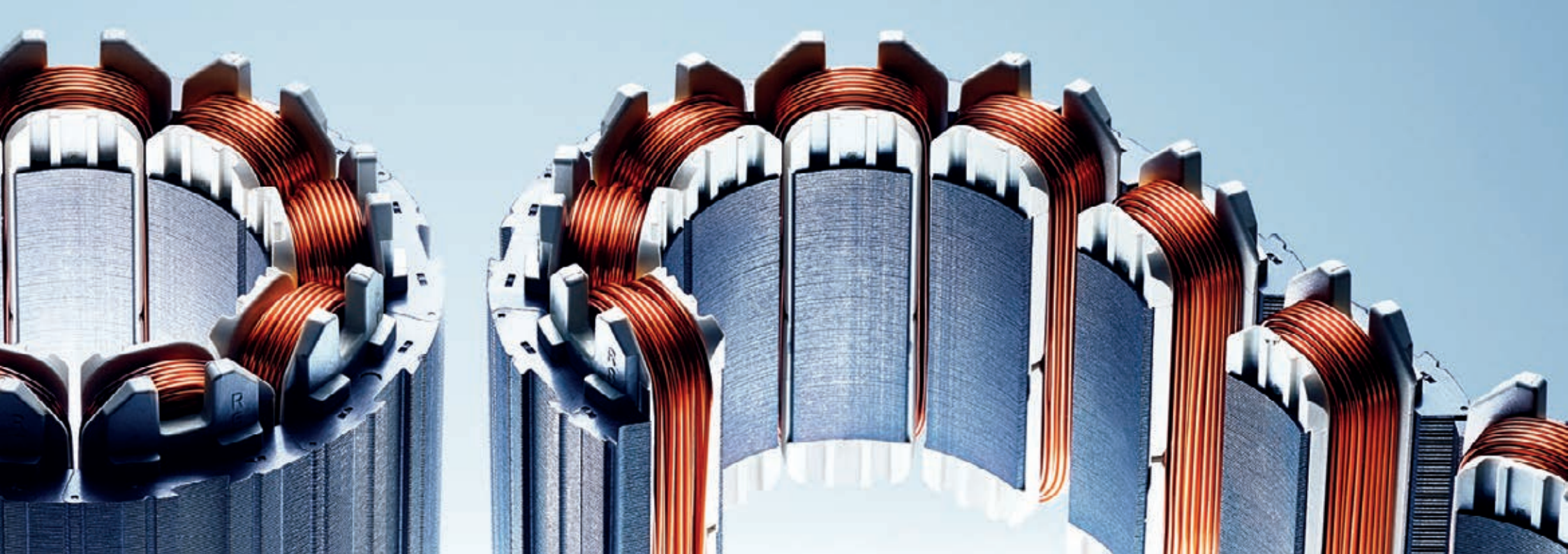
i-see sensor

i-see infrared-ray sensor utilizes advanced technologies to provide customized comfort by monitoring your body temperature.

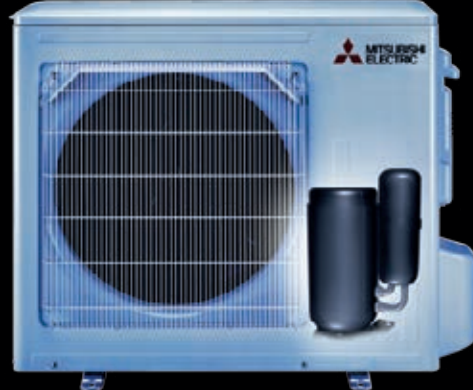
Double-Flap

Independently operating double flaps distribute pleasant airflows to individuals in the room.





Built using micron-precise calculations, the compressor is the heart of the air conditioner.



Poki-Poki Motor



Dramatically enhanced motor efficiency utilizing Mitsubishi Electric's original dense winding technology.

Heat Caulking



Mitsubishi Electric's heat caulking method minimizes cylinder distortion for even greater efficiency.

Dual-Barrier Coating

Mitsubishi Electric's proprietary coating prevents dust and grease accumulation.

- Grease mist
- Cigarette smoke

- Dust
- Dirt







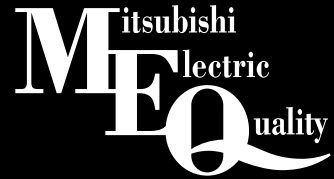
Plasma Quad Plus

Air cleaning system using powerful plasma technology filters out even microscopic particles.

Plasma Quad Plus



-  Bacteria
-  Viruses
-  Allergens
-  Dust
-  Molds
-  Microparticle (PM2.5)



In today's competitive environment, simply meeting industry standards is not enough. We go further by setting a quality benchmark called MEQ - Mitsubishi Electric Quality. It is a symbol that stands for superiority in product development, design, manufacture, as well as after sales service.

MEQ is a guarantee that every Mitsubishi Electric product goes through painstaking research, relentless testing and continuous improvement. It gives rise to leading edge products that perform exceptionally, consume minimal power yet protect your investment with a long operational lifespan.

Comfort

Beyond creating a comfortable environment, we aim to achieve harmony between users and their surroundings.

Efficiency

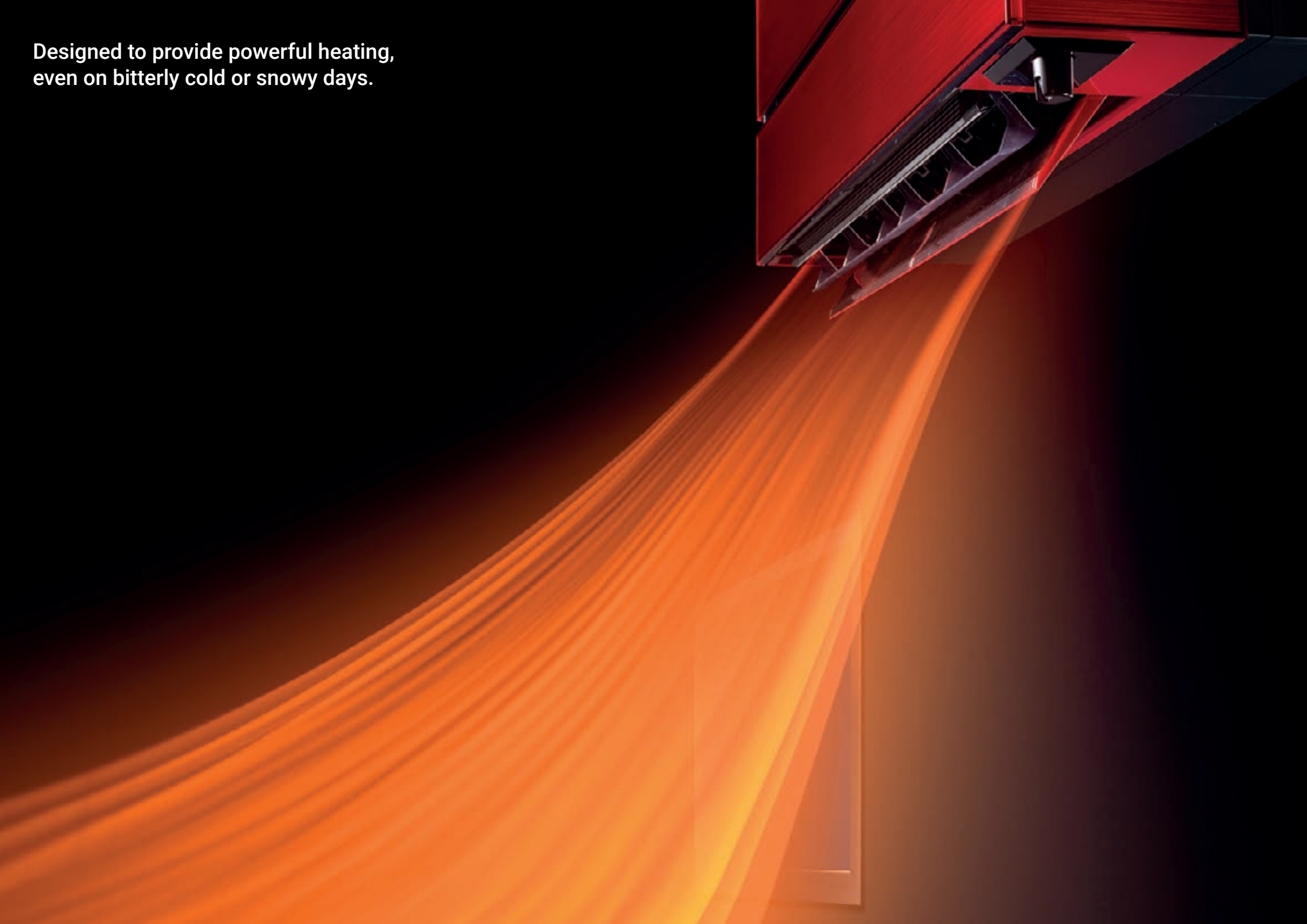
We strive to achieve optimum cost performance by continuously reducing energy requirements and improving eco-friendliness.

Durability

Our products are subjected to rigorous testing under harsh conditions that are more extreme than that of the real world to ensure years of reliable service.

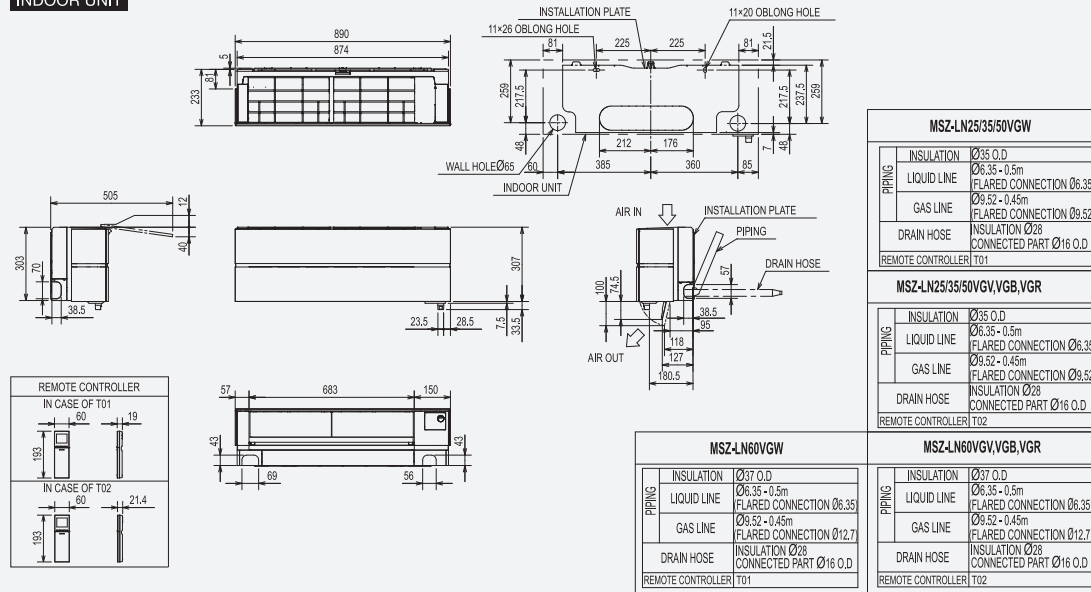


Designed to provide powerful heating,
even on bitterly cold or snowy days.



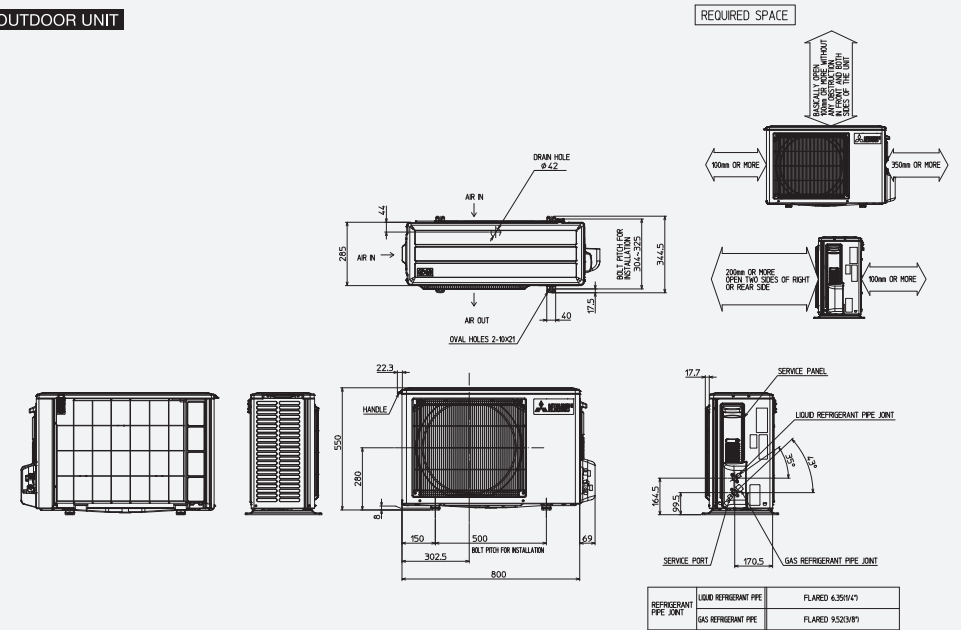
MSZ-LN25VGW MSZ-LN35VGW MSZ-LN50VGW MSZ-LN60VGW
 MSZ-LN25VGV MSZ-LN35VGV MSZ-LN50VGV MSZ-LN60VGV
 MSZ-LN25VGB MSZ-LN35VGB MSZ-LN50VGB MSZ-LN60VGB
 MSZ-LN25VGR MSZ-LN35VGR MSZ-LN50VGR MSZ-LN60VGR

INDOOR UNIT



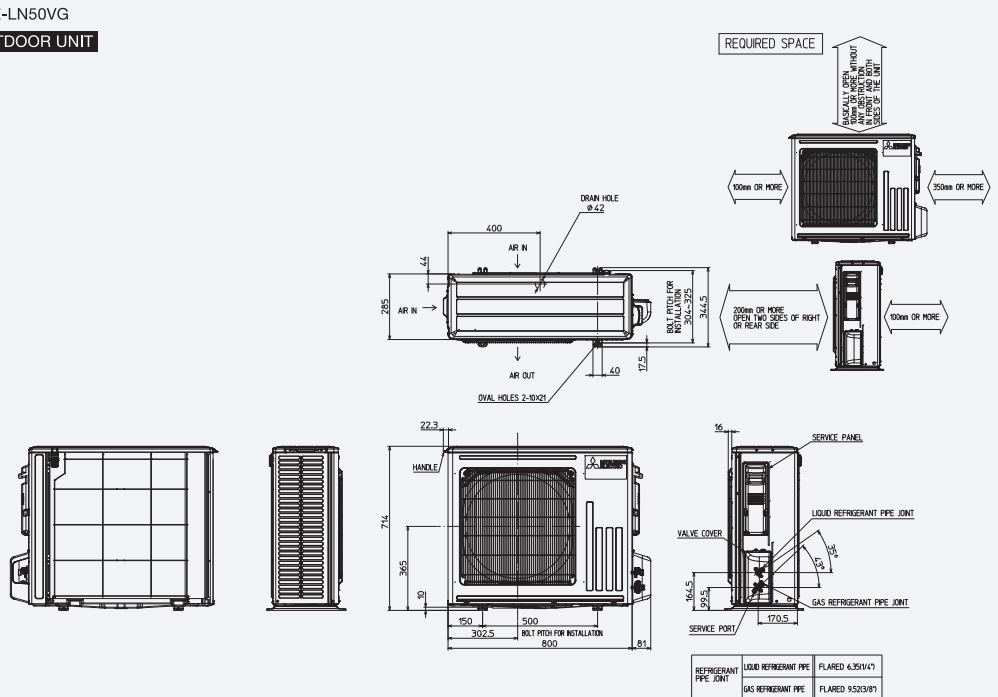
MUZ-LN25VG MUZ-LN35VG

OUTDOOR UNIT



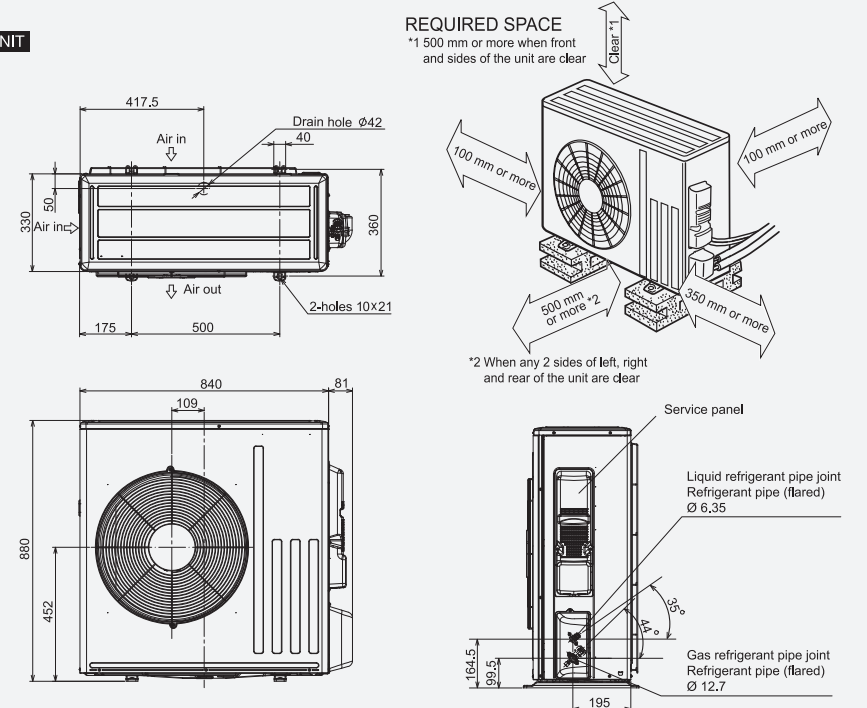
MUZ-LN50VG

OUTDOOR UNIT



MUZ-LN60VG

OUTDOOR UNIT



Indoor Unit



MSZ-LN 25/35/50/60 VGR

Ruby Red



MSZ-LN 25/35/50/60 VGV

Pearl White



MSZ-LN 25/35/50/60 VGB

Onyx Black



MSZ-LN 25/35/50/60 VGW

Natural White

Outdoor Unit



MUZ-LN 25/35 VG



MUZ-LN 50 VG



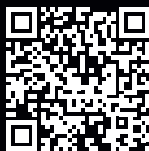
MUZ-LN 60 VG

Type		Inverter Heat Pump						
Indoor Unit		MSZ-LN25VG	MSZ-LN35VG	MSZ-LN50VG	MSZ-LN60VG			
Outdoor Unit		MUZ-LN25VG	MUZ-LN35VG	MUZ-LN50VG	MUZ-LN60VG			
Refrigerant		R32	R32	R32	R32			
Power Supply	Source	Outdoor Power supply	Outdoor Power supply	Outdoor Power supply	Outdoor Power supply			
	Outdoor(V/Phase/Hz)	230V/SinglePhase/50Hz	230V/SinglePhase/50Hz	230V/SinglePhase/50Hz	230V/SinglePhase/50Hz			
Cooling	Design load	kW	2.5	3.5	5.0	6.1		
	Annual electricity consumption	kWh/a	83	128	205	285		
	SEER			10.5	9.5	8.5	7.5	
	Energy efficiency class			A+++	A+++	A+++	A++	
	Capacity	Rated	kW	2.5	3.5	5.0	6.1	
	Min-Max	kW	1.0 - 3.5	0.8 - 4.0	1.0 - 6.0	1.4 - 6.9		
Total Input	Rated	kW	0.485	0.820	1.380	1.790		
Heating (Average Season)	Design load	kW	3.0(-10°C)	3.6(-10°C)	4.5(-10°C)	6.0(-10°C)		
	Declared Capacity	at reference design temperature	kW	3.0(-10°C)	3.6(-10°C)	4.5(-10°C)	6.0(-10°C)	
		at bivalent temperature	kW	3.0(-10°C)	3.6(-10°C)	4.5(-10°C)	6.0(-10°C)	
		at operation limit temperature	kW	2.5(-15°C)	3.2(-15°C)	4.2(-15°C)	6.0(-15°C)	
	Back up heating capacity	kW	0.0(-10°C)	0.0(-10°C)	0.0(-10°C)	0.0(-10°C)		
	Annual electricity consumption	kWh/a	794	974	1369	1826		
	SCOP			5.2	5.1	4.6	4.6	
Energy efficiency class			A+++	A+++	A++	A++		
Capacity	Rated	kW	3.2	4.0	6.0	6.8		
	Min-Max	kW	0.8 - 5.4	1.0 - 6.3	1.0 - 8.2	1.8 - 9.3		
Total Input	Rated	kW	0.580	0.800	1.480	1.810		
Operating Current(Max)		A	7.1	9.9	13.9	15.2		
Indoor Unit	Input	Rated	kW	0.029	0.029	0.034	0.040	
	Operating Current(Max)		A	0.3	0.3	0.4	0.4	
	Dimensions		H*W*D	mm	307*890*233	307*890*233	307*890*233	307*890*233
	Weight		kg	15.5	15.5	15.5	15.5	
	Air Volume (SLo-Lo-Mid-Hi-Shi(Dry/Wet))	Cooling	m ³ /min	4,3-5,8-7,1-8,8-11,9	4,3-5,8-7,1-8,8-12,8	5,7-7,6-8,9-10,6-13,9	7,1-8,8-10,6-12,7-15,7	
		Heating	m ³ /min	4,0-5,7-7,1-8,5-14,4	4,3-5,7-7,1-8,5-13,7	5,4-6,4-8,5-10,7-15,7	6,6-9,5-11,5-13,6-15,7	
	Sound Level (SPL) (SLo-Lo-Mid-Hi-SHi)	Cooling	dB(A)	19-23-29-36-42	19-24-29-36-43	27-31-35-39-46	29-37-41-45-49	
		Heating	dB(A)	19-24-29-36-45	19-24-29-36-45	25-29-34-39-47	29-37-41-45-49	
Sound Level (PWL)	Cooling	dB(A)	58	58	60	65		
Outdoor Unit	Dimensions		H*W*D	mm	550*800*285	550*800*285	714*800*285	880*840*330
	Weight		kg	35	35	40	55	
	Air Volume	Cooling	m ³ /min	31.4	31.4	40.0	50.1	
		Heating	m ³ /min	26.6	29.8	40.5	51.3	
	Sound Level (SPL)	Cooling	dB(A)	46	49	51	55	
		Heating	dB(A)	49	50	54	55	
	Sound Level (PWL)	Cooling	dB(A)	60	61	64	65	
	Operating Current(Max)		A	6.8	9.6	13.5	14.8	
Breaker Size		A	10	10	16	16		
Ext. Piping	Diameter	Liquid/Gas	mm	6.35/9.52	6.35/9.52	6.35/9.52	6.35/12.7	
	Max.Length	Out-In	m	20	20	20	30	
	Max.Height	Out-In	m	12	12	12	15	
Guaranteed Operating Range (Outdoor)		Cooling	°C	-10 ~ +46	-10 ~ +46	-10 ~ +46	-10 ~ +46	
		Heating	°C	-15 ~ +24	-15 ~ +24	-15 ~ +24	-15 ~ +24	



LIVING ENVIRONMENTAL SYSTEMS

Centro Direzionale Colleoni
Viale Colleoni, 7 - Palazzo Sirio
20864 Agrate Brianza (MB)
tel. 039.60531 - fax 039.6053223
e-mail: clima@it.mee.com



es.mitsubishielectric.it/en/products/



for a greener tomorrow

Eco Changes is the Mitsubishi Electric Group's environmental statement, and expresses the Group's stance on environmental management. Through a wide range of businesses, we are helping contribute to the realization of a sustainable society.



The equipment described in this catalogue contain fluorinated gasses such as HFC-410A (GWP 2088), HFC-134A (GWP 1430) e HFC-407C (GWP 1774). Installation of those equipment must be executed by professional installer based on EU reg. 303/2008 and 517/2014

